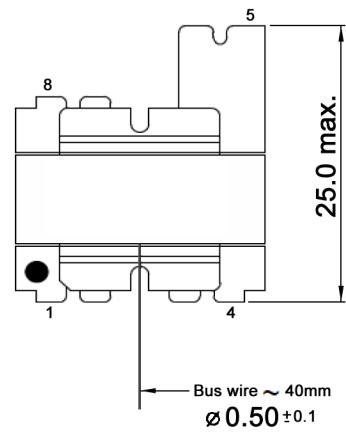
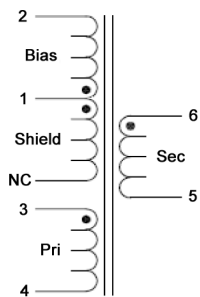


SCHEMATIC



Compliance: RohS II (2011/65/EU)

tolerances	ICS	Product Data-sheet	2 04 69
			page 1/2
	drawn: D. Rauschert, 10.04.2018	Transformer	
	approved: C. Schmid, 10.04.2018		
	Part Number	ICST54411100LHJ61	
date: modification, name			

Specifications:

Turns ratio: 1:0.093:0.167:0.185 (Pri:Sec:Bias:Shield)
 Core-shape: EE16
 Topology: Flyback
 Inductance (100 kHz, 0.4 V): Pin 3-4: 546 µH +/-5%
 Output power: 10 W (5 V/2 A)
 Input voltage range: 85-265 V AC
 Operating frequency: TBD
 Dielectric strength: 3.0 kV AC for 2 sec. (Pri to Sec)
 1.5 kV AC for 2 sec. (Coil to core)
 Stray inductance (100 kHz, 0.4 V): Pin 3-4: 25.0 MHz max. (shorted other)
 Resistance per winding: Pri: 832.0 mOhm max.
 Sec: 18.0 mOhm max.
 Bias: 185.0 mOhm max.
 Primary voltage-time-constant: n.a.
 Operating temperature: -40°C to +120°C
 Material: Bobbin: EE16, 4+4 PIN Phenolic, UL94V-0, E59481, E41429
 Core: Ferrite EE16, P4, RM2.3K, NH2B, TP4 or Equ.
 Wire: PU-enamelled copper, Class F, E201757, E344055, E221719
 Wire: Triple insulated wire, E206440, E213764, E236542
 Insulation tape: Polyester, E165111, E17385
 Tube: Teflon, E338209, E175982
 Varnish: E314793, E317427, E303754
 Epoxy glue: E-500, E218090
 Tin: Sn99.3Cu0.7 or Sn99Ag0.3Cu0.7

Compliance: RohS II (2011/65/EU)

tolerances	ICS	Product Data-sheet	2 04 69 <small>page 2/2</small>
	drawn: D. Rauschert, 10.04.2018 approved: C. Schmid, 10.04.2018	Transformer	
date: modification, name	Part Number ICST54411100LHJ61		