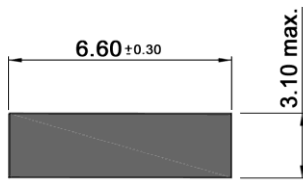
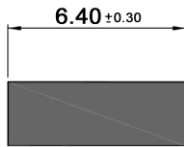
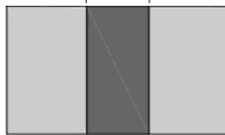
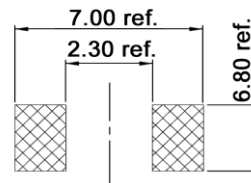


2.50 ref. 1.90 ±0.40



P.C.B. LAYOUT



Specifications:

Inductance (1 MHz, 0.1 V):	See table "xxxxxx"
Rated current:	See table "xxxxxx" (temperature rise 40°C max.)
Saturation Current (L≤30% drop):	See table "xxxxxx"
Self resonant frequency:	n.a.
Quality (10 kHz):	n.a.
Resistance:	See table "xxxxxx"
Operating temperature:	-40 °C to +125 °C
Materials:	n.a.
Packaging unit:	1.000 pcs. / reel

Compliance: RohS III (2015/863/EU)

tolerances	knitter-inductive	Product Data-sheet	2 17 05
			page 1/3
	drawn: D. Rauschert, 10/23	Inductor	
	approved: C.Schmid, 10/23		
	Part Number	ICSxxxxxTKSHyST12	
10/23, PCB Layout, dr			
date: modification, name			

"xxxxxx"	"y"	Inductance (µH)	DCR (mOhm) max.	I rms (A) typ.	I sat (A) max.
221347	M	0,22	2,00	34,00	35,00
331337	M	0,33	2,60	33,00	34,20
471277	M	0,47	2,80	27,70	28,00
681227	M	0,68	3,60	22,20	22,50
102177	M	1,00	5,30	17,50	17,80
152147	M	1,50	7,50	14,80	15,10
182127	M	1,80	9,50	12,70	13,00
222127	M	2,20	10,80	12,20	12,50
332107	M	3,30	15,80	10,80	11,00
472926	M	4,70	23,80	9,20	9,50

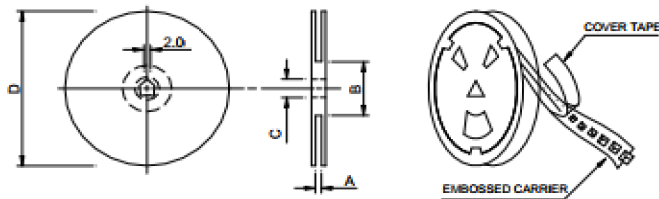
"y"	Inductance tolerance:
M	±20%

Compliance: RohS III (2015/863/EU)

tolerances	knitter-inductive	Product Data-sheet	2 17 05
			page 2/3
	drawn: D. Rauschert, 10/23	Inductor	
	approved: C.Schmid, 10/23		
	Part Number	ICSxxxxxxTKSHyST12	
10/23, PCB Layout, dr			
date: modification, name			

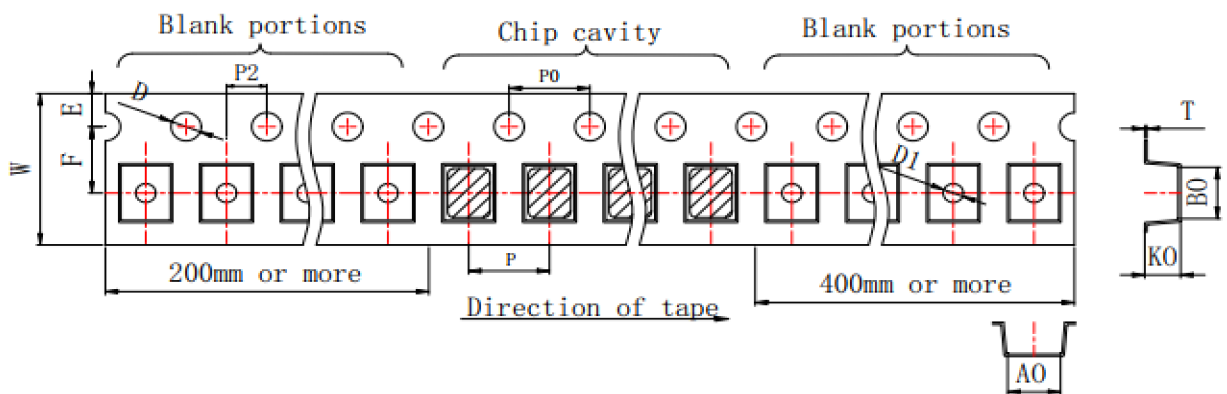
Packaging:

Reel Dimension



A(mm)	B(mm)	C(mm)	D(mm)
16.4±2/-0	100±2	13±0.5/-0.2	330

Tape Dimension



Bo(mm)	Ao(mm)	Ko(mm)	P(mm)	W(mm)	F(mm)	t(mm)
7.00±0.20	6.80±0.20	3.30±0.10	12.00±0.10	16.00±0.30	7.50±0.10	0.35±0.10

Compliance: RohS III (2015/863/EU)

tolerances	knitter-inductive	Product Data-sheet	2 17 05
			page 3/3
	drawn: D. Rauschert, 10/23	Inductor	
	approved: C.Schmid, 10/23		
	Part Number		
	ICSxxxxxxTKSHyST12		
10/23, PCB Layout, dr			
date: modification, name			