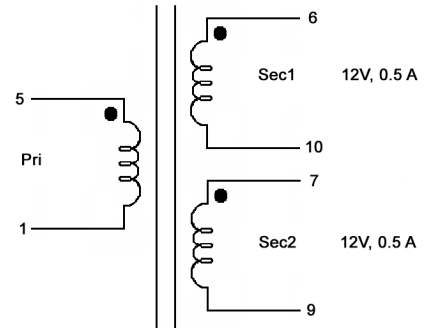
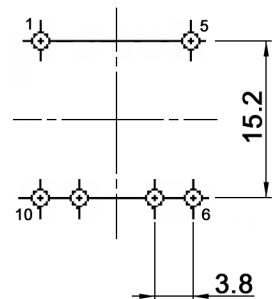


SCHEMATIC



BOTTOM VIEW



Specifications:

Turns ratio:	41:4:4 (Pri:Sec1:Sec2)
Core-shape:	EF20
Topology:	Flyback
Inductance (1 kHz, 1.0 V):	Pri: 1.15 mH +/-10%
Output power:	12 W
Input voltage range:	85-265 V AC
Operating frequency:	n.a.
Dielectric strenght:	3.75 kV AC for 1 sec. (Pri to Sec) 1.0 kV AC for 1 sec. (line to core)
Stray inductance (100 kHz, 0.1 V):	39.0 µH typ. (shorted other)
Resistance per winding:	Pri: 1.43 Ohm max. Sec1: 65.0 mOhm max. Sec2: 65.0 mOhm max.
Primary voltage-time-constant:	n.a.
Operating temperature:	-20°C to +120°C
Material:	Bobbin: EF20 TH 5+5 PIN Phenolic, UL94V-0, E59481, E54705 Core: Ferrite, EF20, P4/NH2B/TP4 or Equ Wire: PU-enamelled copper, E227046, E201757, E344055 Wire: Triple insulated wire, E206440, E343241 Insulation tape: Polyester, E165111, E17385 Tube: Teflon, E338209 Varnish: E314793, E317427 Tin: Sn99.3Cu0.7 or Sn99Ag0.3Cu0.7

Compliance: RohS II (2011/65/EU)

tolerances	ICS	Product Data-sheet	2 02 33
			page 1/1
	drawn: D. Rauschert, 13.12.2016	Transformer	
	approved: J. Hansen, 13.12.2016		
	Part Number		
	ICST11512000LHK61		
24.08.17, specifications, dr			
date: modification, name			